

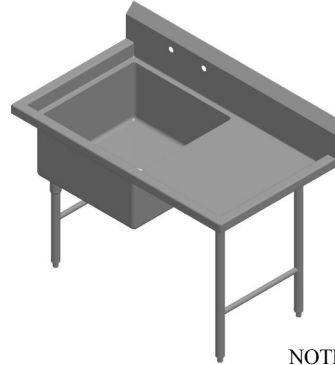
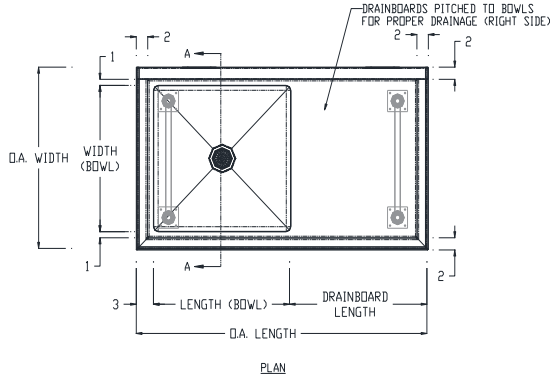
ONE COMPARTMENT SINKS W/ ONE DRAINBOARD & FRONT TO BACK CROSSRAILS



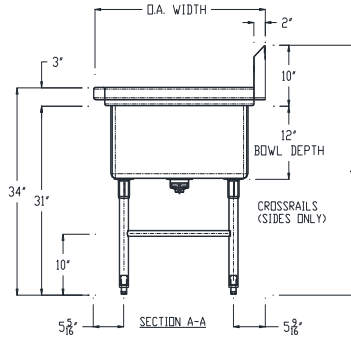
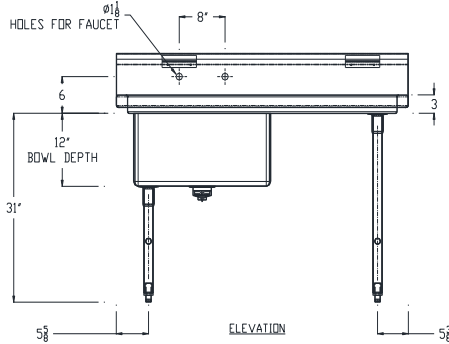
PROJECT#: _____

ITEM# _____

MODEL# _____



NOTE: Right Drainboard Shown



ONE COMPARTMENT SINKS W/ ONE DRAINBOARD AND CROSS BRACING							
MODEL#	QTY	PRODUCT DIMENSIONS (INCHES)					
		LENGTH (BOWL)	WIDTH (BOWL)	DRAINBOARD LENGTH	O.A. LENGTH	O.A. WIDTH	OVERALL HEIGHT
C-1-1618-18R-C		16"	18"	18" ON RIGHT	37"	24"	41"
C-1-1618-18L-C		16"	18"	18" ON LEFT	37"	24"	41"
C-1-1618-24R-C		16"	18"	24" ON RIGHT	43"	24"	41"
C-1-1618-24L-C		16"	18"	24" ON LEFT	43"	24"	41"
C-1-1818-18R-C		18"	18"	18" ON RIGHT	39"	24"	41"
C-1-1818-18L-C		18"	18"	18" ON RIGHT	39"	24"	41"
C-1-1824-18R-C		18"	24"	18" ON RIGHT	39"	30"	41"
C-1-1824-18L-C		18"	24"	18" ON LEFT	39"	30"	41"
C-1-1824-24R-C		18"	24"	24" ON RIGHT	45"	30"	41"
C-1-1824-24L-C		18"	24"	24" ON LEFT	45"	30"	41"
C-1-2424-18R-C		24"	24"	18" ON RIGHT	45"	30"	41"
C-1-2424-18L-C		24"	24"	18" ON LEFT	45"	30"	41"
C-1-2424-24R-C		24"	24"	24" ON RIGHT	51"	30"	41"
C-1-2424-24L-C		24"	24"	24" ON LEFT	51"	30"	41"
C-1-3024-24R-C		30"	24"	24" ON RIGHT	57"	30"	41"
C-1-3024-24L-C		30"	24"	24" ON LEFT	57"	30"	41"

SINK SPECIFICATIONS:

TOP: 16 GA. 300 Series Stainless Steel

SINK BOWLS: 16 GA. 300 Series Stainless Steel

CROSS BRACING: 1" Diameter Stainless Steel Welded to Legs

LEGS: 1 5/8" Diameter Stainless Steel Tubing

CONSTRUCTION:

- ◆ Fully welded, Seamless, Polished #4 Finish
- ◆ Euro Edge
- ◆ S/S Adjustable Bullet Feet
- ◆ Crumb Cup Drain 1 1/2" IPS
- ◆ 8" On Center Faucet Holes
- ◆ Ships with (2) Wall Mount "Z" Clips
- ◆ Integral 10" Tall Backsplash